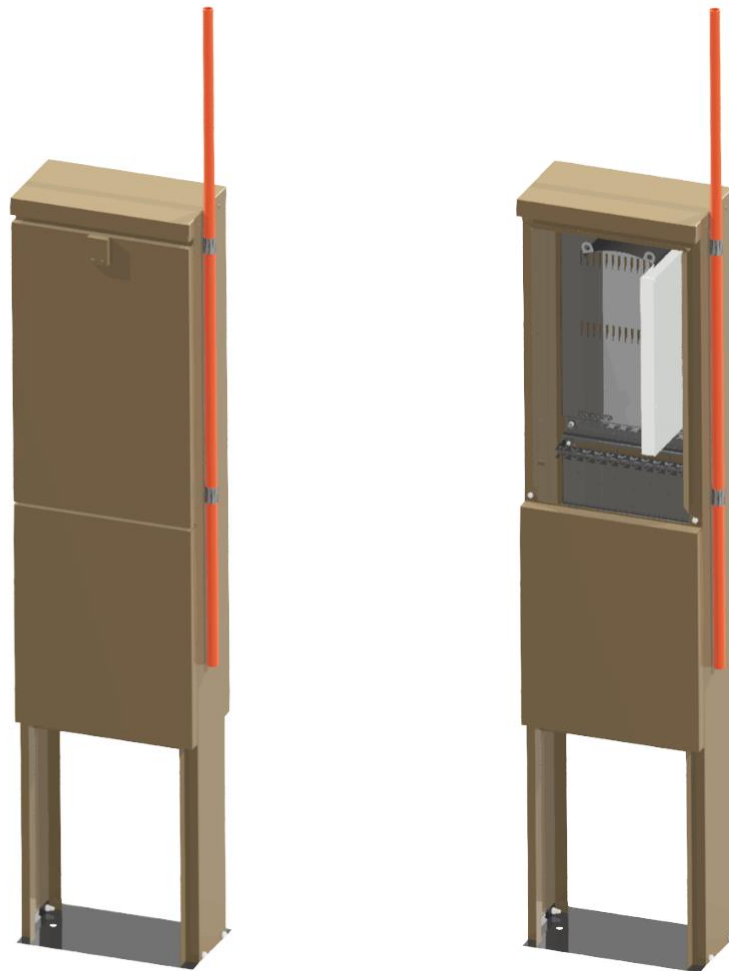


Splice Cabinet NC-310 Optimus



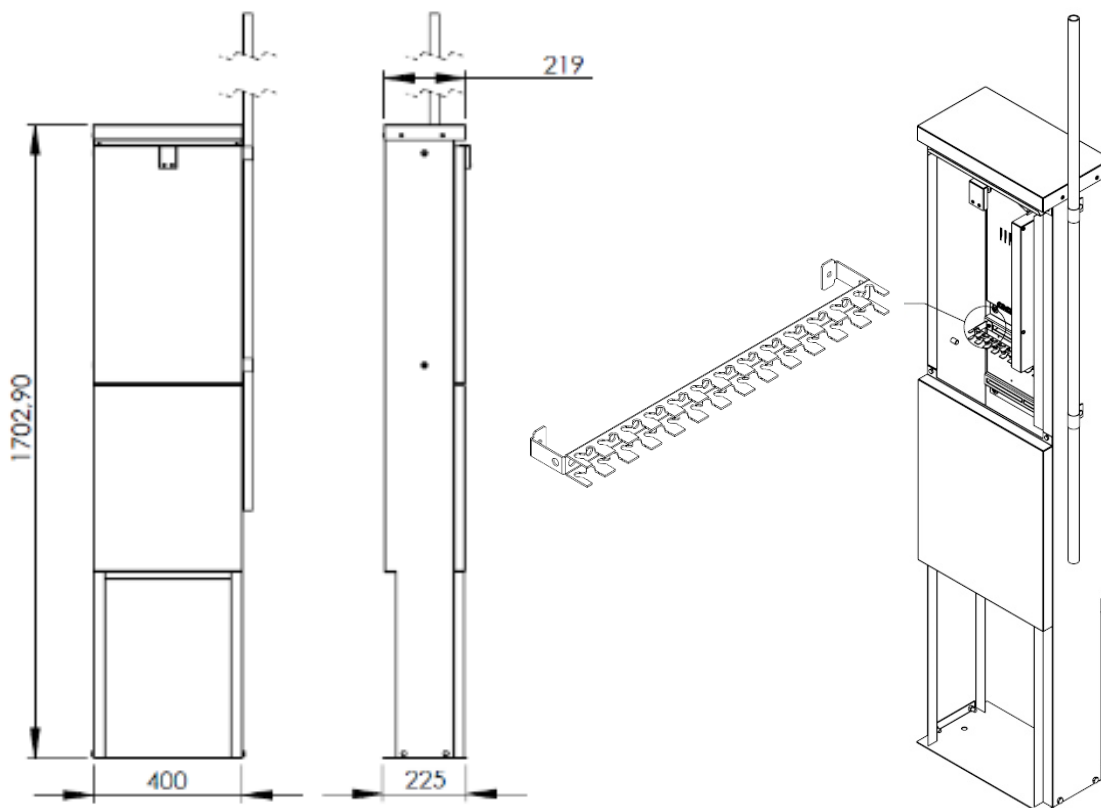
Features

- NC-310 Optimus is a splice cabinet that includes an outdoor cabinet with the fixed stand, mounting points for microducts and a splice module for optical fibres.
- The advantages of this solution are small size, simple and compact construction with competitive price.
- The product has been designed especially for FTTH applications in microduct networks where feeder cables are spliced to many drop cables.
- Mounting plates for microducts makes duct installation even more easy.
 - Total microduct capacity:
 - 13 pcs Nestor Optimus DB 14/10mm
 - 26 pcs Nestor Optimus DB 7/3,5mm

- The splice module for optical fibres is a covered splice tray that has capacity up to 96 fibres.
- The basic assembly of the splice cabinet includes one splice module, but the cabinet has space for multiple extra splice modules.
- NC-310 Optimus is compatible with NC-48 and NC-48S splice trays.
 - Capacity up to 16 pcs of NC-48 or NC-48S
 - Total capacity up to 768 fibres
- The cabinet is also compatible with NC-320 Vertical Panel.
 - The incoming cables can be terminated by using connectorized pigtails or PLC-splitters.
- The outer parts of the cabinet are galvanized and powder-painted steel plate.
 - Colour RAL 7008

Dimensions

- 400 (W) x 225 (D) x 1703 (H) mm

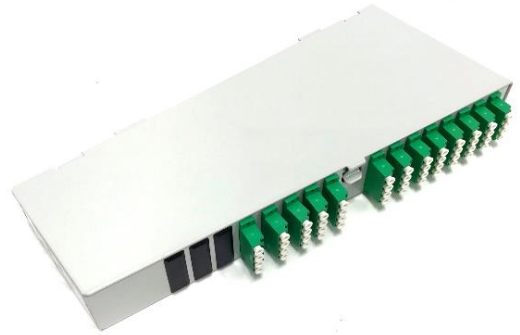


Optional accessories

- NC-48S Universal Splice Tray
- NC-320 Vertical Panel
- Nestor Optimus accessories for microduct networks
 - Connectors
 - Reducers
 - End Stops
 - Gas Blocks
 - Cable Seals
 - Divisible Seals
 - Temporary End Caps



NC-310 Splice Module



NC-320 Vertical Panel



Nestor Optimus DB End Stop



Nestor Optimus Cable Seal